

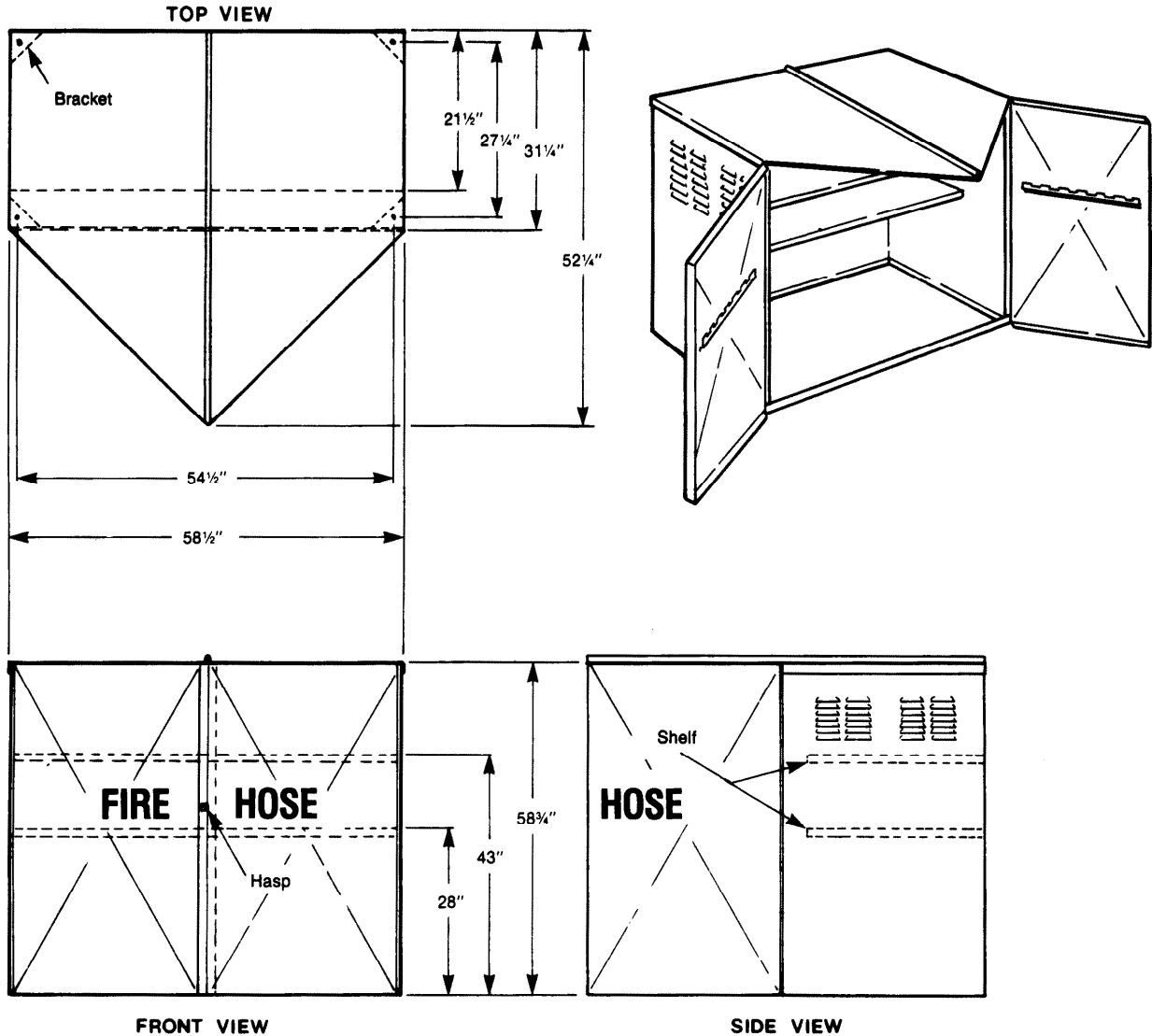


# PENTAGONAL HYDRANT HOUSE



**REGULARLY FURNISHED:** 18 gauge phosphatized steel with red glossy polyester coating. Interlocking assembly construction with two shelves, doors with continuous steel hinge (brass pin) equipment brackets, corner hold down brackets and padlock hasp. Shipped unassembled with instructions and 4" high Fire Hose lettering. Two sets of louvers on each side, base supplied by others.

DIMENSIONS ARE SUBJECT TO MANUFACTURERS TOLERANCE AND CHANGE WITHOUT NOTICE. WE ASSUME NO RESPONSIBILITY FOR USE OF SUPERSEDED OR VOID DATA.



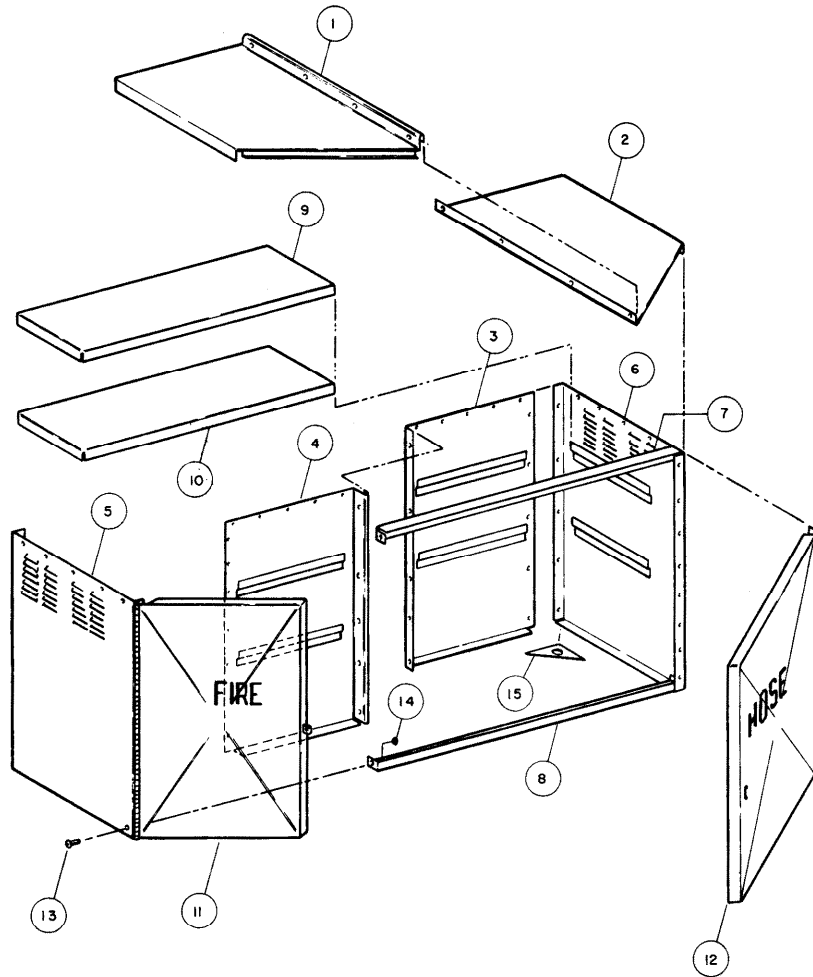
**OPTIONAL MATERIALS:**

- GV Electro galvanized steel with red glossy polyester coating
- AL Aluminum construction with red glossy polyester coating

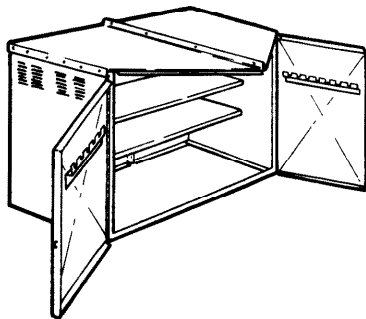
DATE  
3-26- 92

FIGURE NUMBER  
**6010**

# MODEL 6010 ASSEMBLY INSTRUCTIONS



PART ASSEMBLY DETAIL



ASSEMBLED UNIT

## PARTS LIST

| NO. | DESCRIPTION              | QTY. |
|-----|--------------------------|------|
| 1   | LEFT TOP PANEL           | 1    |
| 2   | RIGHT TOP PANEL          | 1    |
| 3   | RIGHT BACK PANEL         | 1    |
| 4   | LEFT BACK PANEL          | 1    |
| 5   | LEFT SIDE PANEL          | 1    |
| 6   | RIGHT SIDE PANEL         | 1    |
| 7   | TOP STIFFENER ANGLE      | 1    |
| 8   | BOTTOM STIFFENER ANGLE   | 1    |
| 9   | TOP SHELF                | 1    |
| 10  | BOTTOM SHELF             | 1    |
| 11  | LEFT DOOR                | 1    |
| 12  | RIGHT DOOR               | 1    |
| 13  | PAN HEAD SCREWS          | 50   |
| 14  | NUTS                     | 30   |
| 15  | CORNER HOLD DOWN BRACKET | 4    |
| 16  | 4" FIRE HOSE LETTERING   | 1    |
| 17  | DOOR TIE                 | 2    |