



# U/L LISTED HOSE REEL ASSEMBLY

**REGULARLY FURNISHED:**

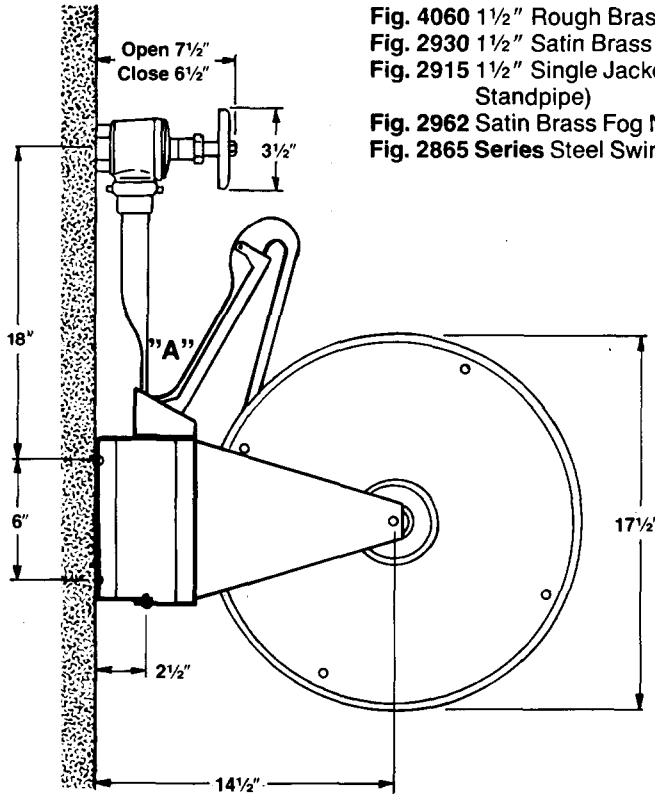
Fig. 4060 1 1/2" Rough Brass 300 lb. U/L-◀ FM ▶ Male x Female Angle Valve

Fig. 2930 1 1/2" Satin Brass Pin Lug Coupling

Fig. 2915 1 1/2" Single Jacket Lined 500 lb. Test Polyflex ◀ FM ▶ Hose (For Interior Standpipe)

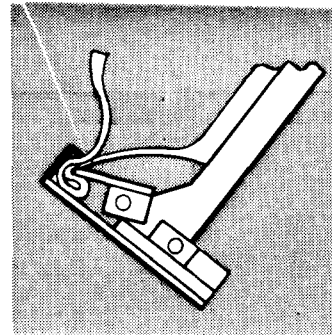
Fig. 2962 Satin Brass Fog Nozzle

Fig. 2865 Series Steel Swinging Hose Reel with Water Retention Device



- 2866 50' Hose
- 2867 75' Hose
- 2868 100' Hose

**"A" WATER RETENTION DEVICE**



**OPTIONAL FINISHES**

|    | Rack       | Valve           | Trim            |
|----|------------|-----------------|-----------------|
| -A | Red Enamel | Rough Brass     | Polished Brass  |
| -B | Red Enamel | Polished Brass  | Polished Brass  |
| -C | Red Enamel | Rough Chrome    | Rough Chrome    |
| -D | Red Enamel | Polished Chrome | Polished Chrome |

## OPTIONAL EQUIPMENT

**VALVES**

- (-11) With Fig. 2765 Brass Adjustable Pressure Restricting Device
- (-12) With Fig. 2770 1 1/2" Brass Restricting Disc.
- (-14) With Fig. 4080 1 1/2" Female x Male Adjustable Pressure Restricting Angle Valve
- (-16) With Fig. 4051 1 1/2" Female x Male Pressure Regulating Angle Valve
- (-18) With Fig. 4045 1 1/2" Female x Male Pressure Regulating Angle Valve

**FIRE HOSE**

- (-21) With Fig. 2915 1 1/2" Polyflex Hose ◀ FM ▶ and U/L listed

**COUPLING**

- (-31) With Fig. 2930 -RL Rocker Lug Coupling

**NOZZLES**

- (-42) With Fig. 2960 Red Polycarbonate Fog Nozzle
- (-43) With Fig. 2972 Brass Fog Nozzle With Rubber Bumper
- (-44) With Fig. 2980 Red Polycarbonate "All Fog" Nozzle
- (-45) With Fig. 2985 Brass "All Fog" Nozzle With Rubber Bumper
- (-46) With Fig. 2993 Brass Fixed-Flow Fog Nozzle

DIMENSIONS ARE SUBJECT TO MANUFACTURERS TOLERANCE AND CHANGE WITHOUT NOTICE. WE ASSUME NO RESPONSIBILITY FOR USE OF SUPERSEDED OR VOID DATA.

DATE  
12-15-88

FIGURE NUMBER  
**2866-2868**