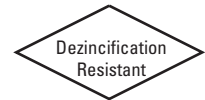


175 PSI WWP Bronze Hose Gate Valves

Fire Protection Valve • Screw-in Bonnet • Non-Rising Stem • Solid Wedge



175 PSI/12.1 Bar Non-Shock Cold Water

CONFORMS TO MSS SP-80 •
UL LISTED • FM APPROVED

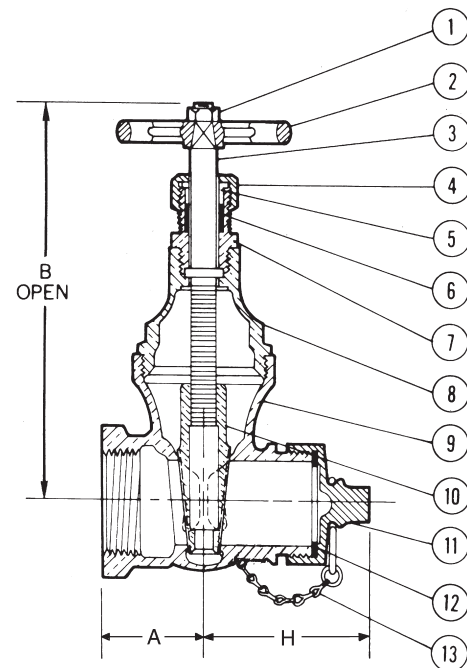
MATERIAL LIST

PART	SPECIFICATION
1. Handwheel Nut	Brass ASTM B 16
2. Handwheel	Malleable Iron
3. Stem	Silicon Bronze ASTM B 371 Alloy C69430
4. Packing Nut	Bronze ASTM B 62
5. Packing Gland	Brass ASTM B 16
6. Packing	Non Asbestos Aramid Fibers w/Graphite
7. Stuffing Box	Bronze ASTM B 62
8. Bonnet	Bronze ASTM B 62
9. Body	Bronze ASTM B 62
10. Wedge	Bronze ASTM B 62
11. Hose Cap	Bronze ASTM B 62
12. Hose Cap Gasket	Rubber
13. Safety Chain	Brass



T-103-HC

Threaded
w/Cap and Chain



T-103-HC
NPT x ANFH (NFPA)
Hose 7.5 Threads
Per Inch

DIMENSIONS—WEIGHTS—QUANTITIES

Size	Dimensions						Weight		Box Qty.	Master Ctn. Qty.
	A		B		H		Lbs.	Kg.		
In. mm.	In.	mm.	In.	mm.	In.	mm.				
2½ 65	3.00	80	11.38	288	4.75	121	18.52	8.39	1	2

